

HB Hydraulic Booster

• Pmax: 50kg/cm²

Product Introduction

- A hydraulic sequential valve is attached to the structure of this unit. When operating, it may oil to cylinder and makes it be at the dual pressure and let the sequential valve act, and then it will provide multiple boosting pressure.
- It's fit for hydraulic special purpose machine and MC clamp in low pressure circuit. It needs a solenoid valve installed in the circuit, and then it will be able to operate HB super-charger. The super-charger may be converted automatically from low oil-pressure to high oil-pressure and obtain a high pressure clamping.

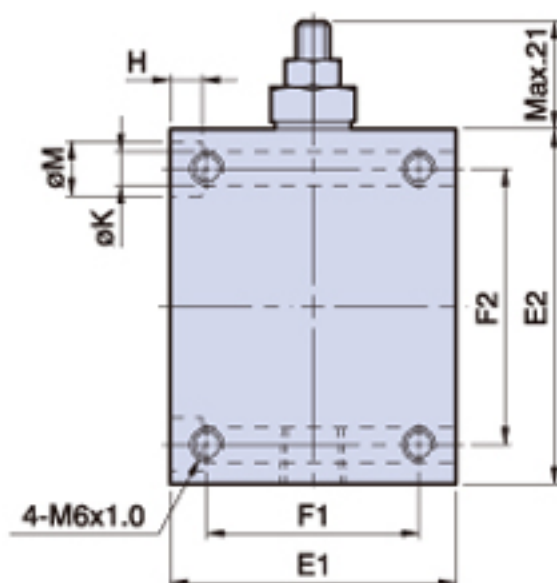
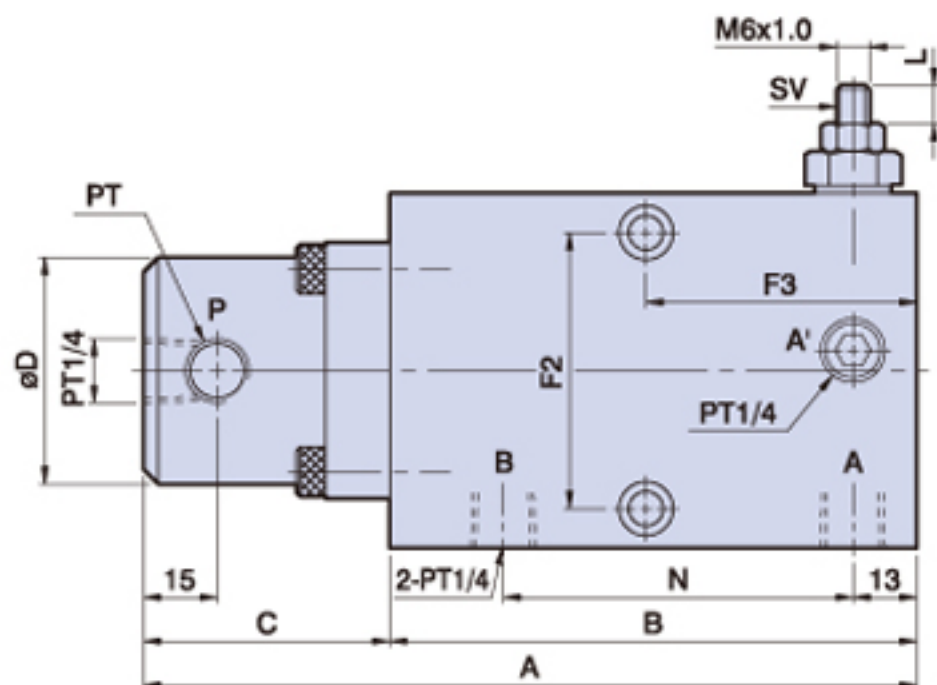


Adjustment reference for SV sequence valve

M6 Length L	mm	7	6	5	4	3	2	1
Start Pressure	kg/cm ²	20	25	30	35	40	45	50

Max. operation pressure
50kg/cm²

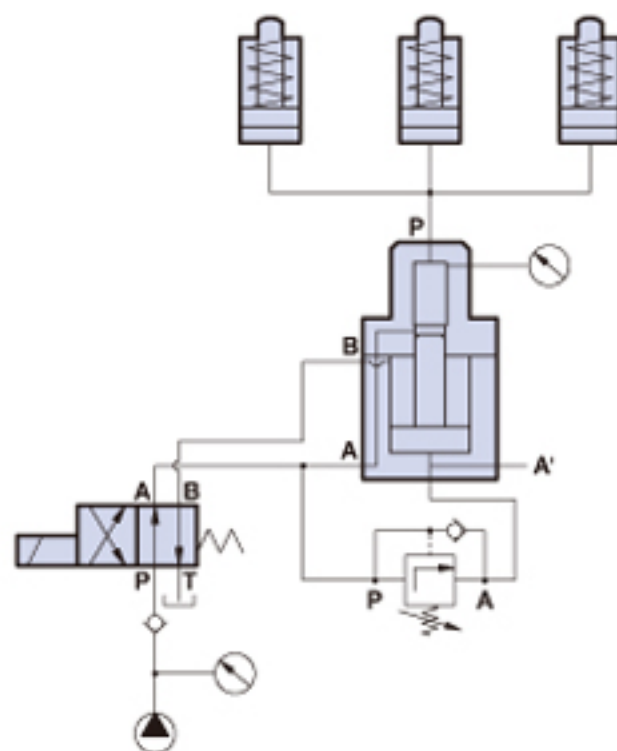
↑ Pressure set at 30kg/cm² btfor shipment



UNIT:mm

MODEL	HB-9x6	HB-5x10	HB-8x22	HB-5x35	HB-3.8x4.5
Multiple boost	9	5	8	5	3.8
High pressure output	6cc	10cc	22cc	35cc	45cc
A	157		210		
B	107		139		
C	50		71		
øD	ø46		ø58		
E1	58		82		
E2	72		95		
F1	43		62		
F2	56		80		
F3	55		70		
H	7		9		
øK	ø7		ø9		
øM	ø11		ø14		
N	71		96		
PT	PT1/4	PT1/8	PT1/4		

Circuit diagram



ABP Air Drive Booster Pump

• Pmax: 6kg/cm²

Product Introduction

- The booster pump is driven by air to output hydraulic pressure for a power source for hydraulic cylinder. Its flow rate is bigger than that of a conventional booster. Continuous pressure boosting and no limitation of booster stroke for the acting cylinder.
- Pressure adjustment is made by an air pressure regulation valve. Once pressure reaches the desired value, drive stops immediately. In case pressure drops, the pump will compensate pressure automatically. The series is especially ideal for long time hydraulic clamping application. Also features energy saving, no oil temperature growth, economical and convenient.
- When double-pump is applied, you can select the boost pressure ratio. It is especially suitable for jig and fixture which requires high and low pressure operation together.

- A Type: Equipped with ISO approved manifold and solenoid valve. Applicable for single-acting or double-acting hydraulic cylinder.

Equipped with HDV direction control valve to improve internal leakage problem and ensure the service life of air pump.

- B Type: Equipped with pipe block with P.T ports, permitting for connecting to a manual control valve for operation control.
- Reduced oil tank volume for space saving and convenient installation.

Specifications

Fluid	Filtered air			
Max operation pressure	6Kg/cm ²			
Boost pressure rate	06	10	25	44
Air pressure supply	5kg/cm ²	16	10	5
Hydraulic fluid expelled	ℓ/min	3		
Oil tank capacity	Single pump 5ℓ			
Oil	ISO-VG68			

Ordering Code

ABP - 10 A × AC110V

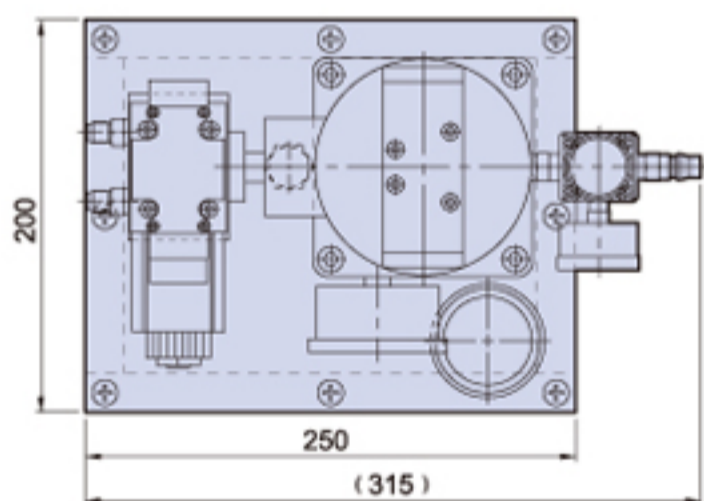
↑
①

↑
②

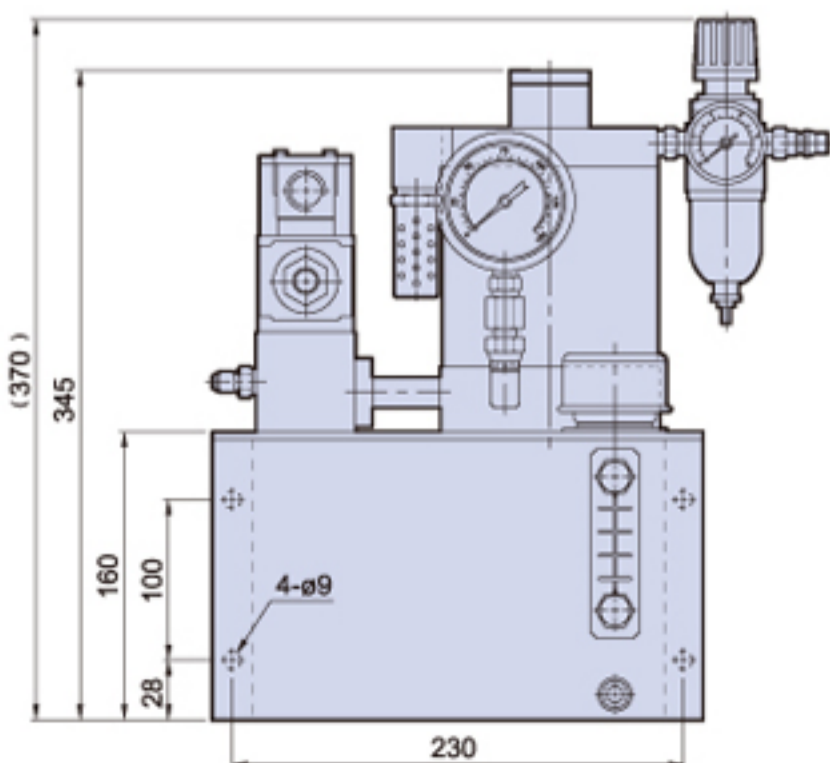
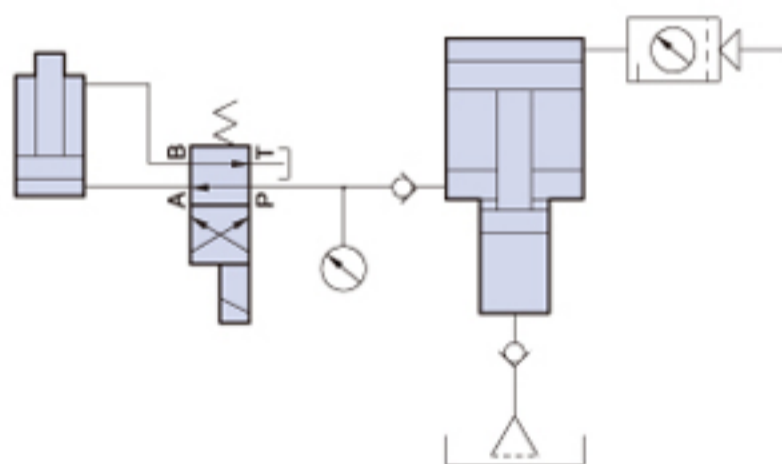
↑
③

↑
④

①	Series	ABP
②	Boost pressure rate	06. 10. 25. 44
③	Control type	A: Manifold, magnet valve B: Distributing tube seat P.T. port
④	Coil type	AC110V, AC220V, DC12V, DC24V



Circuit diagram



Specification

Pump quantity	Dimension	Fixing hold at the back and bottom
Single pump	(L)250 × (W)200 × (H)160 mm	230 × 100mm φ9 × 4 holes