

HLC 槓桿式油壓缸



Hydraulic lever-type Cylinder

• Bore: $\phi 25$ - $\phi 63$ mm • Pmax: 70kg/cm²

產品簡介

- 此型式油壓缸，夾持機構為槓桿原理，活塞推出為夾緊狀態，主要機構零件安裝於缸體外部，易於維護。
- 缸體及夾持機構材料均採用機械構造用炭素鋼，堅固耐用，使用壽命長。



Product Introduction

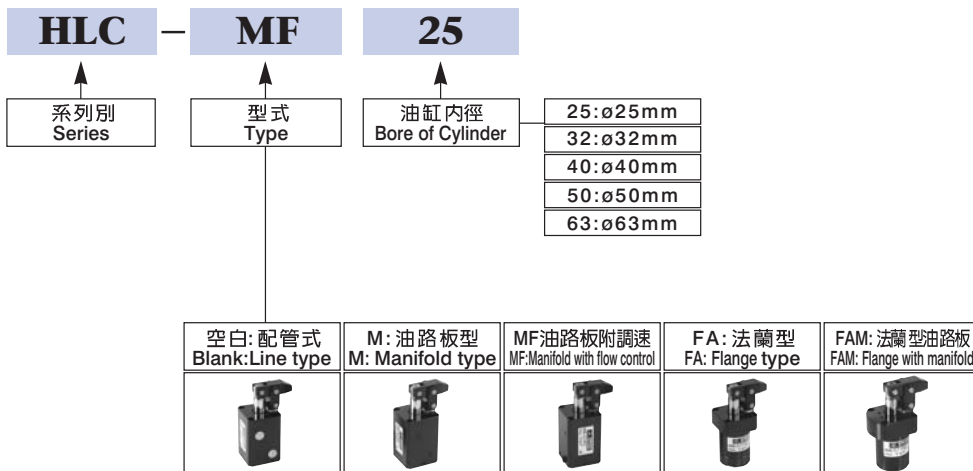
- The clamping mechanism on this series of hydraulic cylinder work with a lever principle. Piston push forward for clamping. It provides greater clamping force than that of swing clamp cylinder. Major parts are mounted outside of the cylinder barrel for convenient maintenance.
- The cylinder barrel and clamping mechanism are manufactured from structural carbon steel for maximum durability and long service life.



特性資料 Specifications

油缸內徑	Bore of cylinder	mm	$\phi 25$	$\phi 32$	$\phi 40$	$\phi 50$	$\phi 63$
活塞桿徑	Piston rod diameter	mm	$\phi 18$	$\phi 20$	$\phi 22.4$	$\phi 28$	$\phi 35$
總行程	Total stroke	mm	25	25	30	34	40
受壓面積 拉入/推出	Pressure area pull/push	cm ²	2.37 / 4.91	4.9 / 8.04	8.63 / 12.57	13.47 / 19.63	21.55 / 31.17
理論夾持力	Theoretical clamp	30kg/cm ²	116	190	288	453	701
使用流體	Fluid	已濾清之標準液壓油 Filtered hydraulic oil					
最大操作壓力	Max operation pressure	70Kg/cm ²					
操作壓力範圍	Operation pressure range	5-50Kg/cm ²					
作動方式	Acting type	複動式 Double acting					

訂購標示法 Ordering Code

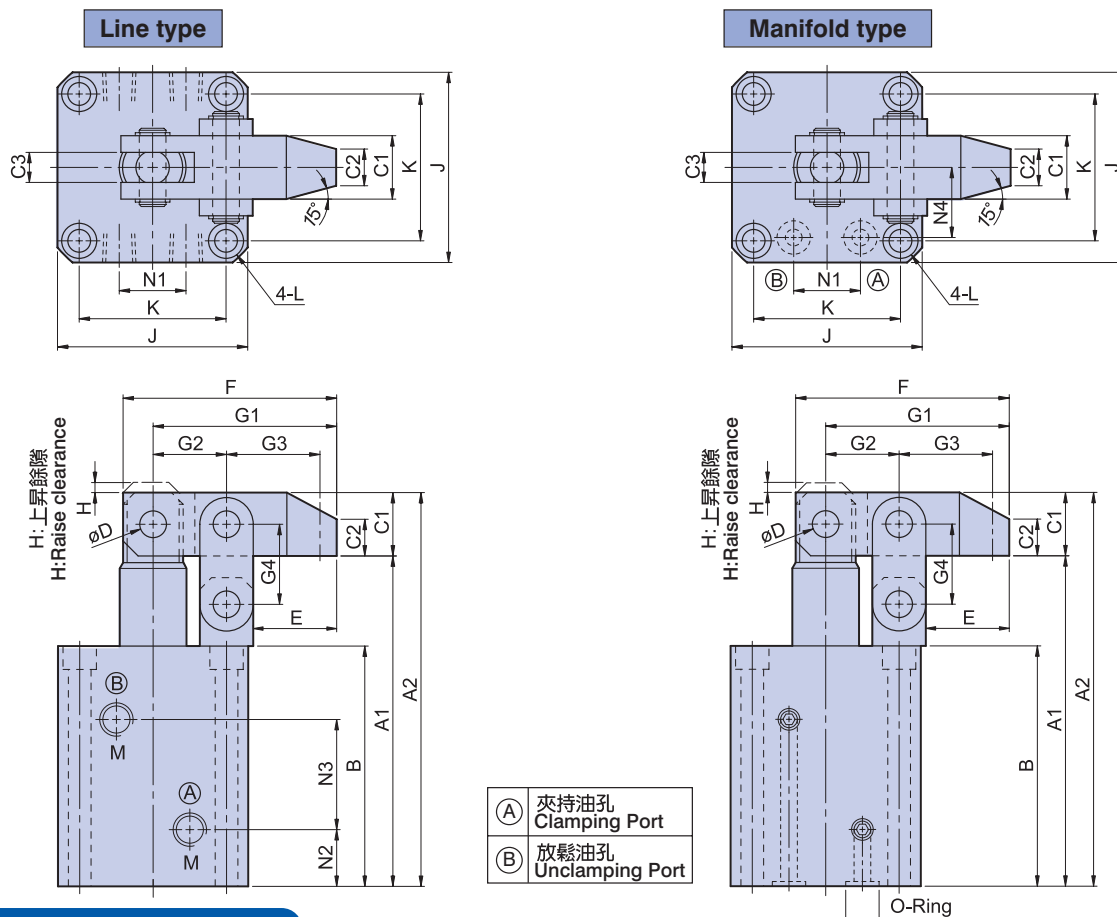


HLC 槓桿式油壓缸



Hydraulic lever-type Cylinder

• Bore: $\phi 25$ - $\phi 63$ mm • Pmax: 70kg/cm²



Dimensional table

UNIT:mm

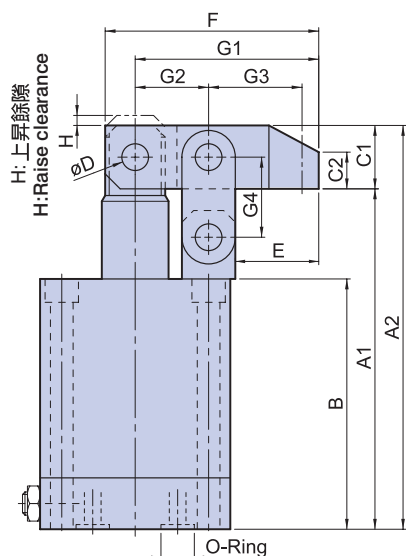
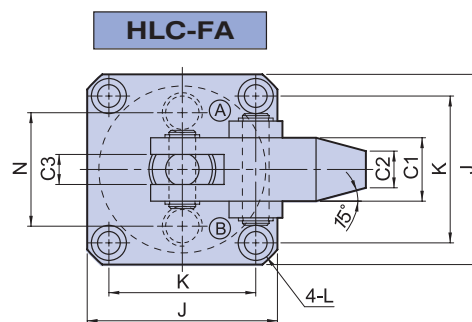
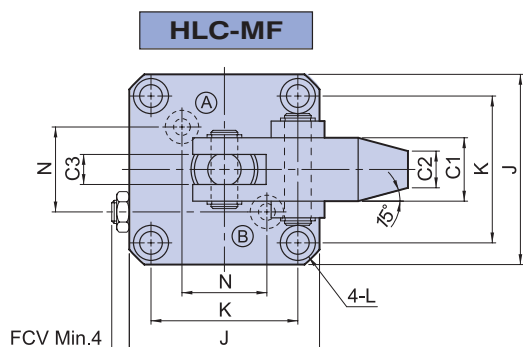
MODEL	HLC-25 HLC-M25	HLC-32 HLC-M32	HLC-40 HLC-M40	HLC-50 HLC-M50	HLC-63 HLC-M63
A1	103	112	122	137	155
A2	122	131	144.2	162.4	186.8
B	76	85	90	100	111
C1	□19	□19	□22.2	□25.4	□31.8
C2	11	11	13	15	19
C3	9	9	10	11	15
ϕD	$\phi 8$	$\phi 8$	$\phi 10$	$\phi 12$	$\phi 15$
E	25	25	30	35.5	43
F	64	64	77	90	110
G1	55	55	66	77	94
G2	22	22	26	30	36
G3	28	28	34	39	48
G4	24	24	29	33	39
H	3	3	4	4	4
J	55	57	69	75	96
K	42	44	52	58	75
L	$\phi 6.8$ - $\phi 10.5$ X 6.5D.	$\phi 6.8$ - $\phi 10.5$ X 6.5D.	$\phi 9$ - $\phi 14$ X 9D.	$\phi 9$ - $\phi 14$ X 9D.	$\phi 11$ - $\phi 18$ X 11D.
M	PT1/8	PT1/8	PT1/4	PT1/4	PT1/4
N1	18	22	26	32	38
N2	17	19	19	21.5	22
N3	33	38	40	45	52
N4	20	22	26	30	38
O-Ring	P7	P7	P8	P8	P9

HLC 槓桿式油壓缸 MF油路板附調速/FA法蘭型

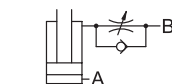


Hydraulic lever-type Cylinder MF.FA

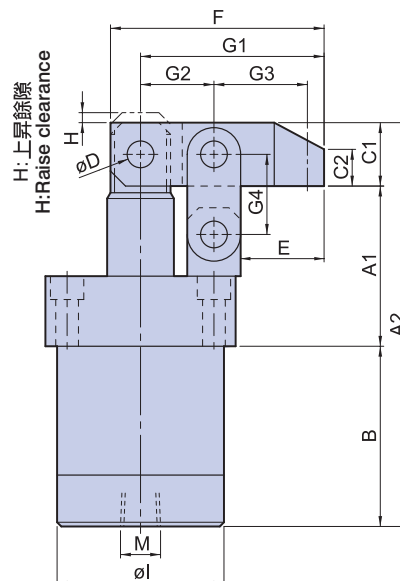
• Bore: $\phi 25-\phi 50\text{mm}$ • Pmax: 70kg/cm^2



HLC-MF



- (A) 夾持油孔
Clamping Port
- (B) 放鬆油孔
Unclamping Port



Dimensional table

UNIT:mm

ITEM	MODEL	MF25	MF32	MF40	MF50	FA25	FA32	FA40	FA50
A1		112	115	130	145	49	52	57	67
A2		131	134	152.2	170.4	131	134	152.2	170.4
B		85	88	98	108	63	63	73	78
C1		$\square 19$	$\square 19$	$\square 22.2$	$\square 25.4$	$\square 19$	$\square 19$	$\square 22.2$	$\square 25.4$
C2		11	11	13	15	11	11	13	15
C3		9	9	10	11	9	9	10	11
ϕD		$\phi 8$	$\phi 8$	$\phi 10$	$\phi 12$	$\phi 8$	$\phi 8$	$\phi 10$	$\phi 12$
E		25	25	30	35.5	25	25	30	35.5
F		64	64	77	90	64	64	77	90
G1		55	55	66	77	55	55	66	77
G2		22	22	26	30	22	22	26	30
G3		28	28	34	39	28	28	34	39
G4		24	24	29	33	24	24	29	33
H		3	3	4	4	3	3	4	4
ϕl		—	—	—	—	$\phi 45$	$\phi 50$	$\phi 58$	$\phi 68$
J		55	57	69	75	55	57	69	75
K		42	44	52	58	42	44	52	58
L		$\phi 6.8-\phi 10.5 \times 6.5\text{D.}$		$\phi 9-\phi 14 \times 9\text{D.}$		$\phi 6.8-\phi 10.5 \times 6.5\text{D.}$		$\phi 9-\phi 14 \times 9\text{D.}$	
M		—	—	—	—	PT1/4	PT1/4	PT1/4	PT1/4
N		19	21	23	28	25	32	40	50
O-Ring		P7	P7	P9	P9	—	—	—	—

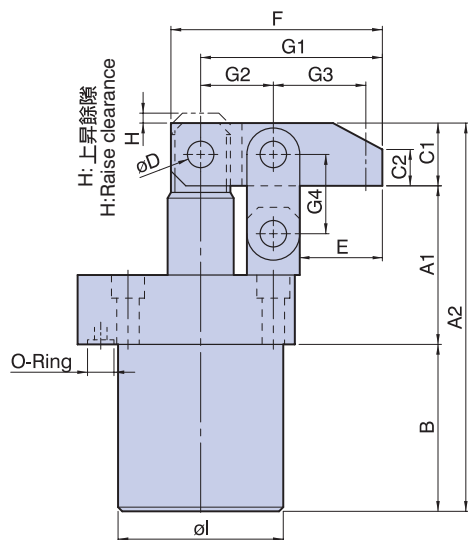
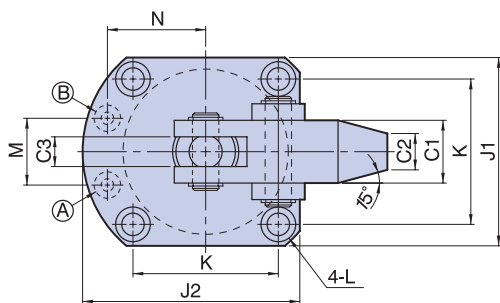
HLC 槓桿式油壓缸 FAM 法蘭型油路板

FAM 法蘭型油路板
Flange with manifold



Hydraulic lever-type Cylinder FAM

• Bore: $\phi 25$ - $\phi 50$ mm • Pmax: 70kg/cm²



- (A) 夾持油孔
Clamping Port
- (B) 放鬆油孔
Unclamping Port



Dimensional table

UNIT:mm

ITEM	MODEL	HLC-FAM25	HLC-FAM32	HLC-FAM40	HLC-FAM50
A1		49	52	57	67
A2		122	131	144.2	162.4
B		54	60	65	70
C1		□19	□19	□22.2	□25.4
C2		11	11	13	15
C3		9	9	10	11
ϕD		$\phi 8$	$\phi 8$	$\phi 10$	$\phi 12$
E		25	25	30	35.5
F		64	64	77	90
G1		55	55	66	77
G2		22	22	26	30
G3		28	28	34	39
G4		24	24	29	33
H		3	3	4	4
ϕl		$\phi 45$	$\phi 50$	$\phi 58$	$\phi 68$
J1		55	57	69	75
J2		64	65.5	79	87
K		42	44	52	58
L		$\phi 6.8$ - $\phi 10.5$ X6.5D.	$\phi 6.8$ - $\phi 10.5$ X6.5D.	$\phi 9$ - $\phi 14$ X9D.	$\phi 9$ - $\phi 14$ X9D.
M		20	22	26	30
N		28	29	34.5	39
O-Ring		P6	P6	P9	P9